

# Single Phase Inverter Second Generation **BLD** | solar

BLD-1k/1.5k/2k-TL2

5 year Warranty



## Product features

### Features

- Transformerless with the three level Topology
- Max efficiency up to 98.0%
- Dual MPPT inputs accommodating wide voltage range
- Compact structure design
- Simple local setting

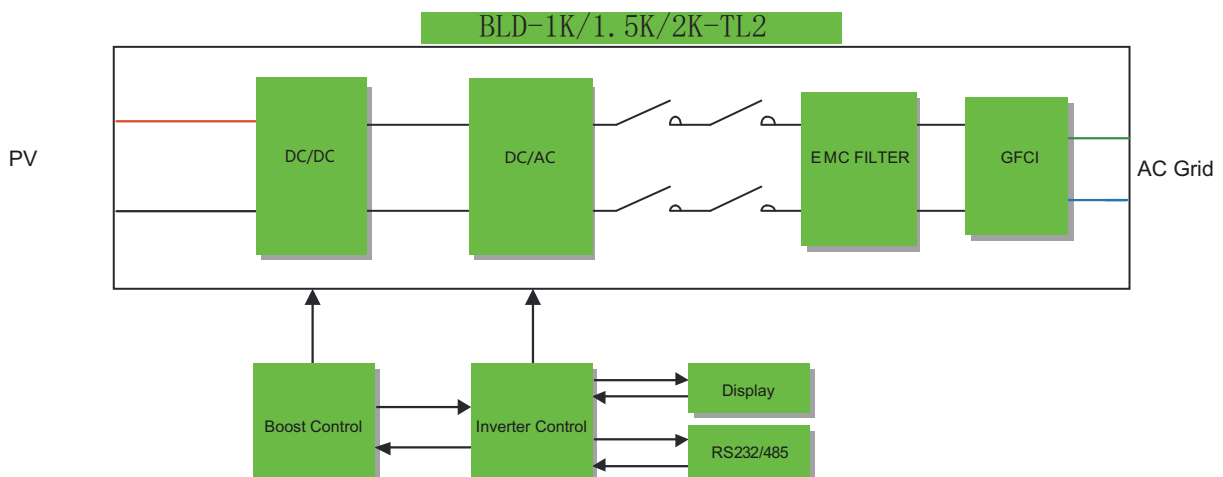
### Flexibility

- Indoors and outdoors usage (IP65)
- Easy installation and free maintenance
- RS485/WiFi(optional) communication
- Multi-lingual display with large LCD screen

### Reliability

- Reliable protection for over/under voltage, antiislanding, short circuit, overload, etc.
- 5-year quality warranty extends to 15 years (optional) exclusively
- Comply with VDE0126-1-1, EN62109 - 1, EN62109-2, G59/2, AS/NZS 3100, AS4777.2, AS4777.3, VDE-AR-N-4105, CQC etc.

## Block Diagram



# Technical Data

## BLD-1k/1.5k/2k-TL2

Type	BLD-1k-TL2	BLD-1.5k-TL2	BLD-2k-TL2
<b>Input(DC)</b>			
Max. PV Power	1300W	1750W	2300W
Max. DC Voltage	500V	500V	500V
Nominal DC Voltage	360V	360V	360V
Operating MPPT Voltage Range	80-360V	120-450V	120-450V
MPPT Voltage Range at Nominal Power	150-360V	150-450V	150-450V
Start up DC Voltage	90V	150V	150V
Turn off DC Voltage	80V	120V	120V
Max. DC Current	16A	18A	18A
Max. Short Circuit Current for each MPPT	20A	20A	20A
Number of MPP trackers	1	1	1
Number of DC Connection for each MPPT	1	1	1
DC Connection Type	MC4 Connector	MC4 Connector	MC4 Connector
<b>Output (AC)</b>			
Max. AC Apparent Power	1100VA	1650VA	2200VA
Nominal AC Power(cos phi = 1)	1000W	1500W	2000W
Nominal Grid Voltage	220V/230V/240V	220V/230V/240V	220V/230V/240V
Nominal Grid Frequency	50Hz/60Hz	50Hz/60Hz	50Hz/60Hz
Max. AC Current	5.8A	9.0A	11.0A
Grid Voltage Range*	185-276V	185-276V	185-276V
Grid Frequency Range*	45-55Hz/55-65Hz	45-55Hz/55-65Hz	45-55Hz/55-65Hz
Power Factor	0.95 capacitive...0.95 inductive	0.95 capacitive...0.95 inductive	0.95 capacitive...0.95 inductive
Total Harmonic Distortion (THD)	<2%	<2%	<2%
Feed in Starting Power	30W	30W	30W
Night time Power Consumption	<1W	<1W	<1W
Standby Consumption	6W	6W	6W
AC Connection Type	Plug-in connector	Plug-in connector	Plug-in connector
<b>Efficiency</b>			
Max. Efficiency (at 360Vdc)	97.7%	97.7%	97.7%
Euro Efficiency (at 360Vdc)	96.7%	96.8%	96.8%
MPPT Efficiency	99.9%	99.9%	99.9%
<b>General data</b>			
Operating Temperature	-20°C to +60°C(derating above 45°C)		
RangeRelative Humidity	0% to 98%, no condensation		
Max. Altitude (above sea level)	2000m		
Noise Level	< 40dB		
Isolation Type	Transformerless		
Display	3 LED, Backlight, 4 x 20 Character LCD		
Data Communication Interfaces	RS485(WiFi, GPRS integrated)		
Computer Communication	USB		
Standard Warranty	5 Years (5-25 years optional)		
<b>Safety and Protection</b>			
DC Insulation Monitoring	Yes		
DC Switch	Optional		
Residual Current Monitoring Unit (RCMU)	Integrated		
Grid Monitoring with Anti-islanding	Yes		
Protection Class	I (According to IEC 62103)		
Overvoltage Category	PV II / Mains III (According to IEC 62109-1)		
<b>Reference Standard</b>			
Safety Standard	EN 62109, AS/NZS 3100		
EMC Standard	EN 61000-6-1, EN 61000-6-3, EN 61000-6-2, EN 61000-6-4, EN61000-3-2, EN61000-3-3		
Grid Standard	VDE-AR-N-4105,VDE 0126-1-1, RD1699, C10/11, G83/2, UTE C15-712-1, AS4777, CEI 0-21, EN50438		
<b>Physical Structure</b>			
Dimensions (WxHxD)	343x281x150mm		
Weight	9.6kg		
Environmental Protection Rating	IP 65 (According to IEC 60529)		
Cooling Concept	Natural convection		
Mounting Information	Wall bracket		

Qinggang Industrial Zone, Yuhuan,Zhejiang

<http://www.bldsolar.com>

[sales@bldsolar.com](mailto:sales@bldsolar.com)

+86-576-81731999

+86-576-81731990



Zhejiang BLD Solar Technology CO.,LTD